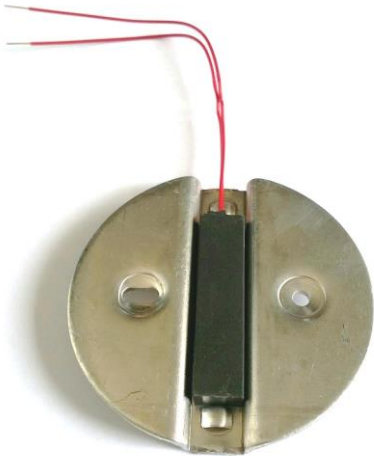


PTC Heating Elements A93 for hotplates

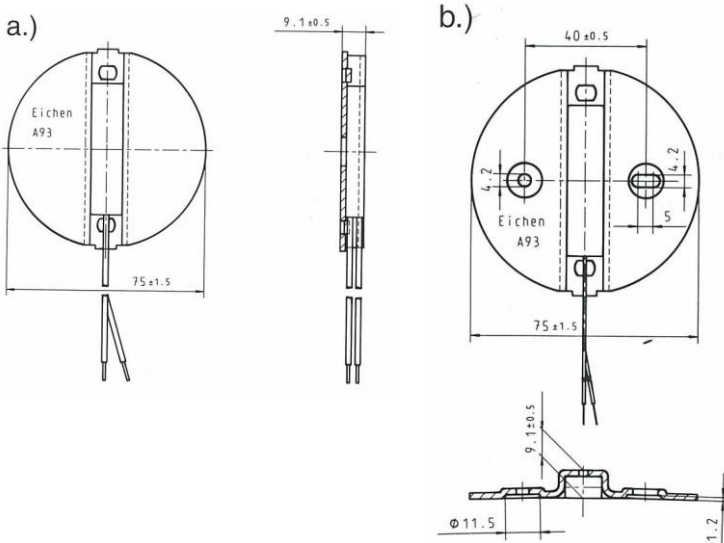


Typical Applications

Heating up / keeping warm drinks such as coffee, tea etc. and food of all kinds.

Characteristics

- high reliability
- self-regulating PTC units (rectangular), mounted in round aluminium plate 2 mm thick
- effective mounting of the element onto any keep-warm plate



Technical Specifications

Voltage	AC 50/60 Hz, 23V to 240 V; 12 V to 36 V (on request)
Power	approx. 55 W
Dimensions	round design Ø 75 mm, with and without fixing holes Ø 4,2 mm
Protection class	I
IP protection class	IP 30
Connections	standard length 120 mm, stripped ends 7 mm; other lengths and connectors on request
Mark approval	VDE / UL on request

Technical modifications reserved



Eichenauer Inc.

292 Sunapee Street · Newport NH 03773-1232
 ☎ +1 (603) 863-1454 · 📠 +1 (603) 863-1248 ✉ info@eichenauerusa.com
www.eichenauerusa.com

PDB 1419 Index 1

